

## Checkweigher EWK 3010/EWK 3015

With weighing system 10 kg or 20 kg



German Quality

The weighing systems WS 10 kg and WS 20 kg, combined with evaluation electronics EWK 3010 or EWK 3015, form a high-performance checkweigher for weight or integrity checking, as well as for the regulation of upstream filling systems.

All model variants have a type approval which allows for use in legal metrology for Packaged Goods Regulation inspection in all European countries.

The right solution for all of these applications:



Weighing



Fill quantity  
control



Statistics



Classification



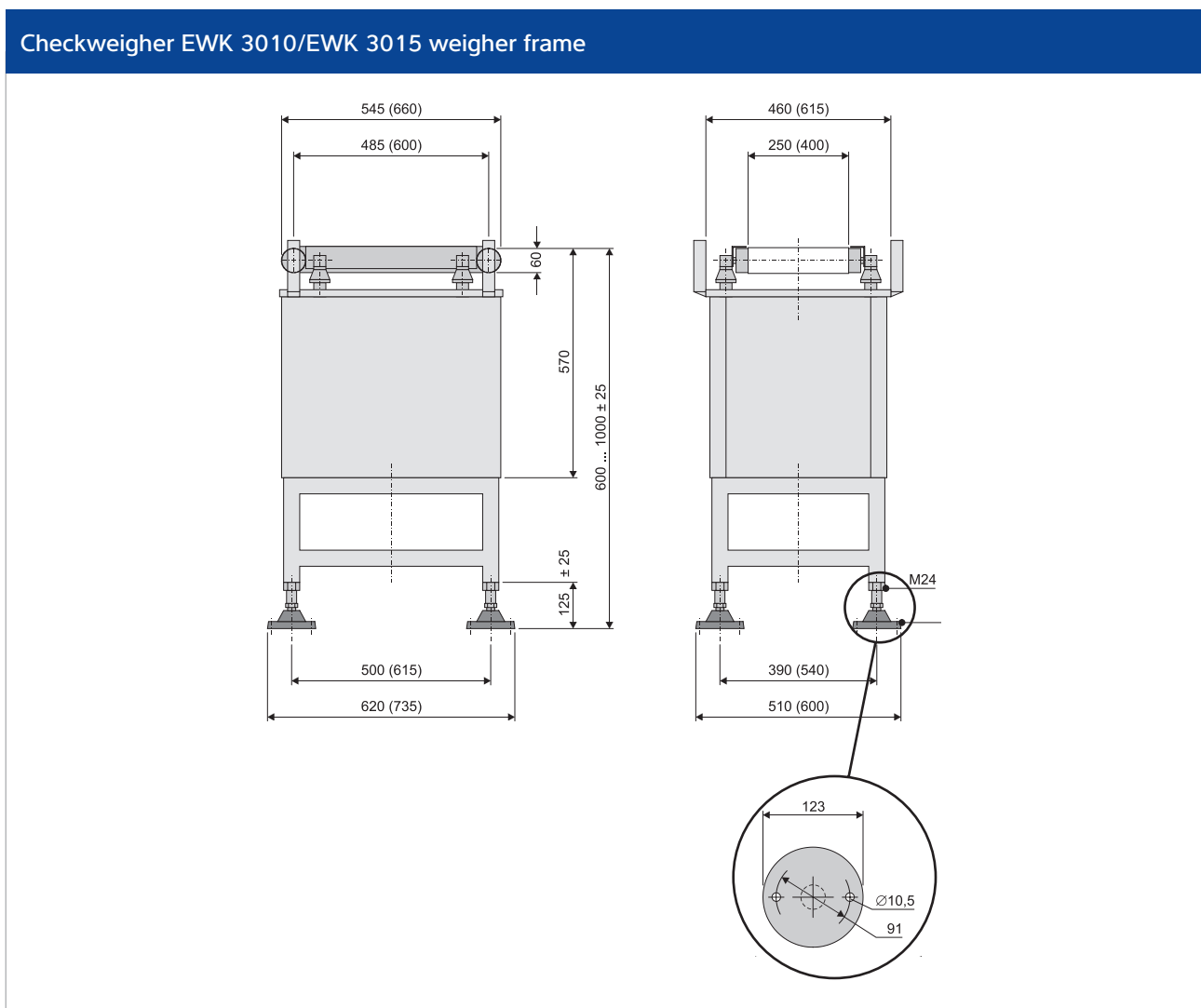
Statistical process  
control

## Technical specifications

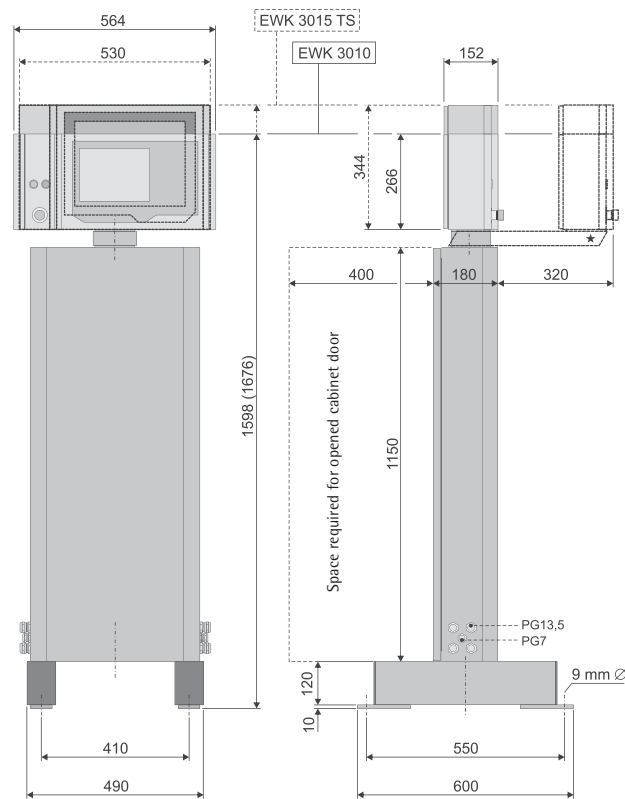
Checkweigher EWK 3010/EWK 3015 with weighing system 10/20 kg		
Weighing system	WS 10 kg	WS 20 kg
Gross weighing range (kg)	Up to 10	Up to 20
Smallest permissible calibration value (g)	1	2
Imprecision area (Ua) (mg)	From 500	From 1,000
Standard deviation of the measurement error (s) (mg)	From 85	From 170
Throughput (item/min)	Depending on product, throughput and ambient conditions	
Speed range Belt control for variable speed (m/s)	Motor control via frequency converter, emergency stop and ON/OFF switch Selectable adjustment range: 0.07–0.24, 0.12–0.41, 0.14–0.48, 0.175–0.595, 0.215–0.73, 0.31–1.05, 0.425–1.445 Depending on package length and weighings per time unit	
Table length (mm)	545/660	
Centre-to-centre distance (mm)	485 (for table length 545) 600 (for table length 660)	
Belt width (mm)	250 (for table length 545) 300 (for table length 545) 400 (for table length 660)	
Transport system roller diameter (mm)	58	
Control cabinet with evaluation electronics	Set-up of the control cabinet with evaluation electronics is carried out separately from the weighing system, evaluation electronics on support arm (function enhancement)  Cable length: 3 m (standard) Max. cable length: 15 m; state when ordering	
Transport medium	Belt	
Drive	Maintenance-free three-phase gear motor Motor control with temperature monitoring by 1 x thermal contact 3×230 V <sub>AC</sub> (+10%/-15%), 100 Hz; power: approx. 180 W Protection class: IP 65	
Supply voltage	230 V <sub>AC</sub> (+10%/-15%); 50/60 Hz (L1, N, PE); power incl. evaluation electronics and motor control: max. 600 VA	
Power consumption	Approx. 700 VA (depending on design up to 1800 VA)	
Feed direction	From right to left or left to right (state when ordering)	
Working height (mm)	600 ... 1,000 Adjustment range of the feet: ± 25 mm Minimum working height 570 mm, not adjustable	
Ground clearance (mm)	125 (± 25)	
Permissible operating temperature range (°C)	+5 to +40	
Product temperature (°C)	-30 to +80 (belt)	
Protection class	IP 54 (standard), IP 65 (optional)	
Dimensions	See dimensional drawings	
Material	Weigher frame, control cabinet, evaluation electronics housing: stainless steel 1.4301 Belt structure, rollers: Aluminium, surface-finished	
Weight	150 kg, depending on design	
Airborne noise emitted	A-rated sound pressure level emitted < 70 dB(A)	
Interfaces	Ethernet Profibus Profinet DeviceNET RS422 RS232 Current Loop CANopen	
Inputs	8/16 (optional) digital inputs 24 V <sub>DC</sub> I <sub>max</sub> = 6 mA (< +5 V: signal = 0, > +14 V: signal = 1) Inputs galvanically isolated via relay or optocoupler depending on use	
Outputs	8/16 (optional) digital outputs, 24 V U <sub>DC</sub> = +18 to +30 V I <sub>max</sub> = 0.5 A; fault alarm output galvanically isolated via relay contact 250 V <sub>AC</sub> /5 A Outputs galvanically isolated via relay or optocoupler depending on use 2 analogue outputs (optional): 0–20 mA, 0–10 V Voltage output: load impedance ≥ 2 kΩ Current output: load impedance ≤ 300 Ω	

- The results that can be achieved in practice, e.g. for the standard deviation of the measurement error or the throughput, depend on the respective application and must therefore not be understood as absolute values. The precise design of the supplied machine is defined in the order confirmation.
- The monolithic EMFC load cells used, which were developed specifically for dynamic checkweighers, are characterised by ultimate precision and extremely short weighing time, optimum stability, robustness and overload protection.
- State-of-the-art electronics with the latest signal processor technology allow for particularly effective filtering thanks to the extraordinarily high scanning rate of 2 kHz (0.5 ms).
- The product is taken to the weighing system via an infeed belt provided on site. An outfeed belt provided on site takes the products onwards for further transport and, if necessary, for separation/sorting.
- Outlet nozzles, pushers or gates can optionally be installed as separation/sorting devices behind the checkweigher on the on-site outfeed belt.
- All EWK models offer a range of options to make production monitoring and data assessment easier.

## Technical diagrams



## Checkweigher EWK 3010/EWK 3015 control cabinet



The dimensional drawing shows the control cabinet with evaluation electronics. The optional version "evaluation electronics on support arm" is shown with a dotted line.

All dimensions in mm

The products and solutions presented in this data sheet make major contributions in the following sectors:



Food and beverages



Pharmaceutical



Chemistry



Agribusiness



Cosmetics



Building materials



Recycling



Machinery (OEM)

The technical data given serves as a product description only and should not be understood as guaranteed properties in the legal sense.

Specifications subject to change without notice.  
Rev. 02/2019