

LOADCELL TYPE : CMP1-250K~20T

SPECIFICATIONS

●PERFORMANCE

Rated capacity(R.C.)	: 2.452 kN (250 kgf)
	4.903 kN (500 kgf)
	9.807 kN (1 tf)
	19.61 kN (2 tf)
	49.03 kN (5 tf)
	98.07 kN (10 tf)
	196.1 kN (20 tf)
Safe overload	: 150 %R.C.
Ultimate overload	: 200 %R.C.
Rated output(R.O.)	: 1 mV/V±0.005 mV/V(Only CMP1-250K)
	2 mV/V±0.005 mV/V(Except CMP1-250K)
Non-linearity	: 0.05 %R.O.
Hysteresis	: 0.05 %R.O.
Repeatability	: 0.05 %R.O.

●ELECTRICAL

Recommended excitation	: 12 V or less
Maximum excitation	: 18 V
Zero balance	: ±0.02 mV/V
Input terminal resistance	: 350 Ω±3.5 Ω
Output terminal resistance	: 350 Ω±5 Ω
Insulation resistance (bridge-body)	: 2000 MΩ or more(DC 50 V)

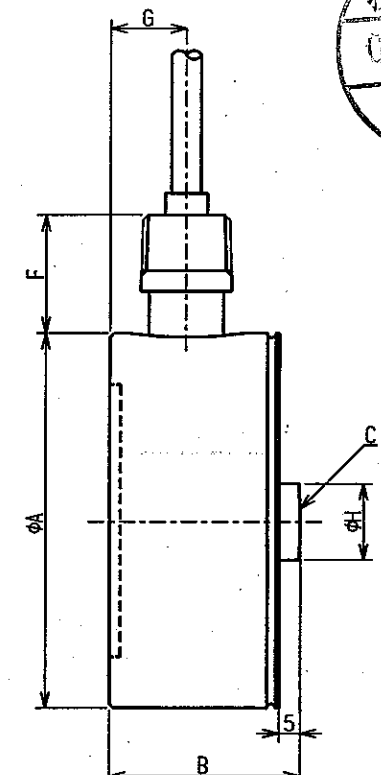
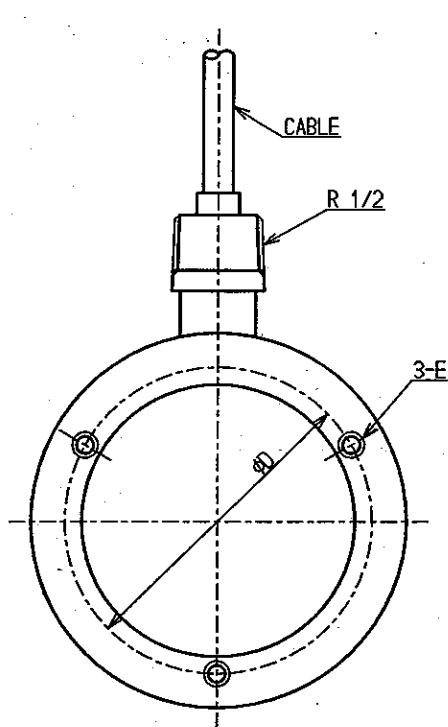
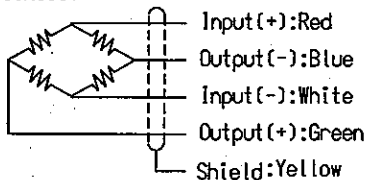
●TEMPERATURE

Compensated temperature range	: -10 ℃ to 70 ℃
Safe temperature range	: -20 ℃ to 80 ℃
Temperature effect on zero balance	: 0.10 %R.O./10 ℃(Only CMP1-250K)
	0.05 %R.O./10 ℃(Except CMP1-250K)
Temperature effect on output	: 0.10 %LOAD/10 ℃

●THE OTHERS

Cable length	: φ7mm 4cores shielded 10 m connected with Y-terminals
IP Class	: Equivalent to IP68 (except cable)
Fatigue life	: 10 ⁶ times or more /R.C.
Material of element	: Stainless steel

●CIRCUIT



<Outline dimensions table>

type	φA	B	C	φD	E	F	G	φH	Deflection	Mass (Approx.kg)
CMP1-250K	88	40	SR150	72	3-M6×1 Depth6	(28)	16	18	0.03	1.8
CMP1-500K									0.06	1.8
CMP1-1T									0.06	1.8
CMP1-2T									0.06	1.8
CMP1-5T									0.07	1.8
CMP1-10T	88	45	SR150	72	3-M6×1 Depth6	(28)	18	18	0.11	2.0
CMP1-20T	114	50	SR230	90	3-M8×1.25 Depth6	(28)	22.5	21	0.14	3.7

公布
K
S
T
F

<p>ミネベア株式会社 MINEBEA CO.,LTD. 計測機器事業部</p>			
APPROVED	CHECKED	DRAWN	
行号 MARK	日付 DATE	変更事項 REASON	ECN NO.
担当 ENGINEER	承認 APPROVED		

単位 UNIT	材質 MATERIAL
公差 TOL	表面状態 SURF.ROUGH.
一般公差 TOL	熱処理 HEAT TREAT.
寸法 L	表面処理 FINISH
公差	
角度 DEG	

作成日 DATE	2003.7.30
品名 DESCRIPTION	OUTLINE
品番 PART NO.(MODEL NO.)	CMP1-250K~20T
図番 DRAWING NO.	KT51732-2
葉番 SHEET	/
改訂 REV.	-